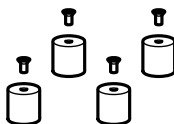
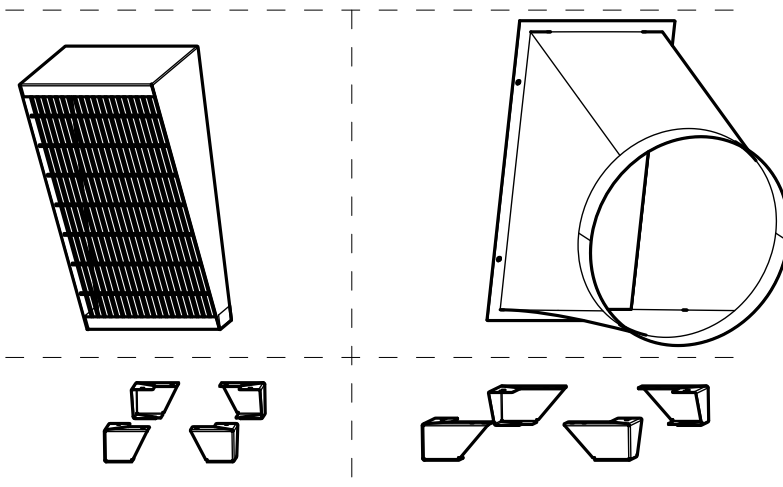




VORT QBK - SAL KC ACCESSORI / ACCESSORIES



COD. 5471.084.187

14.03.2015

VORTICE LIMITED
Beeches House - Eastern Avenue
Burton on Trent
DE13 0BB
Tel. (+44) 1283-492949
Fax (+44) 1283-544121
UNITED KINGDOM

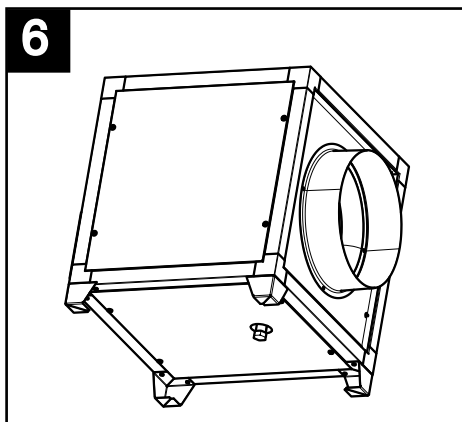
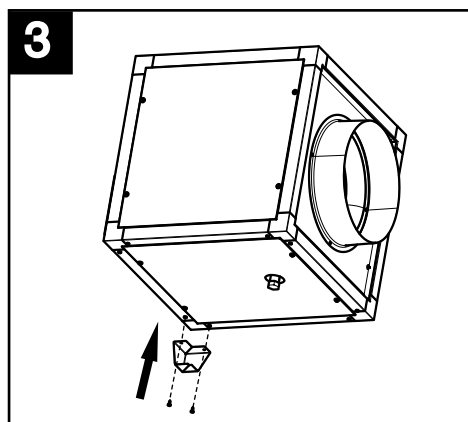
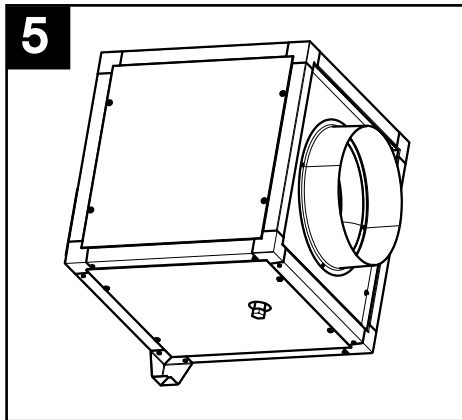
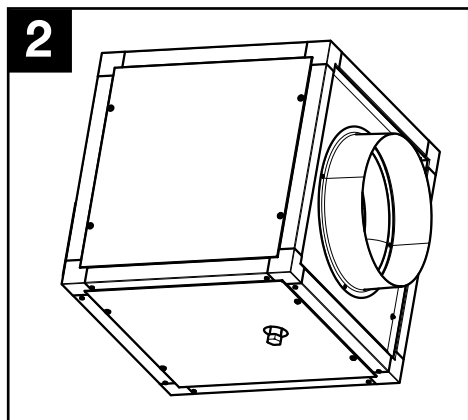
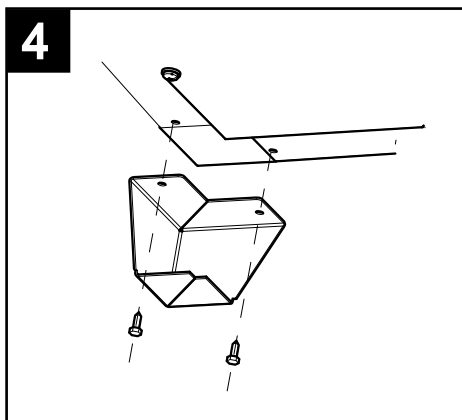
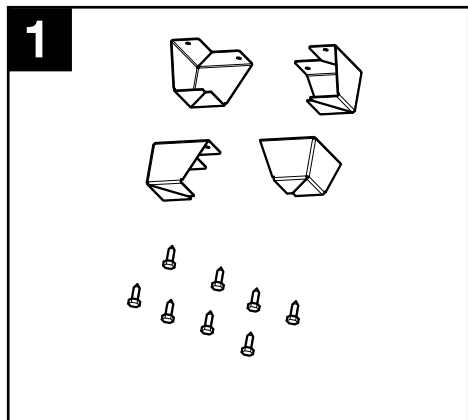
VORTICE FRANCE
15/33 Rue Le Corbusier
Europarc
94046 CRETEIL Cedex
Tel. (+33) 1-55.12.50.00
Fax (+33) 1-55.12.50.01
FRANCE

VORTICE ELETTROSOCIALI S.p.A.
Strada Cerca, 2 - frazione di Zoate
20067 TRIBIANO (MI)
Tel. (+39) 02-90.69.91
Fax (+39) 02-90.64.625
ITALIA

Piedi in metallo

Mounting feet

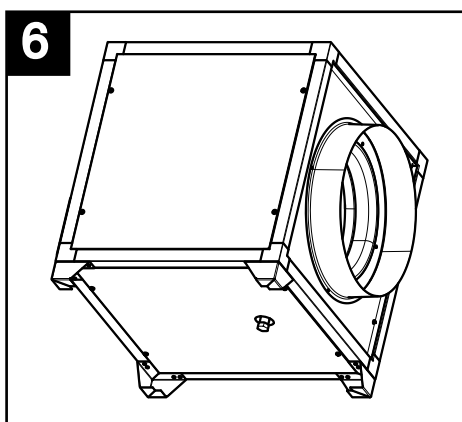
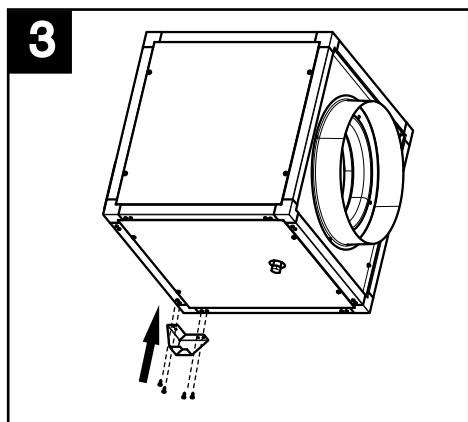
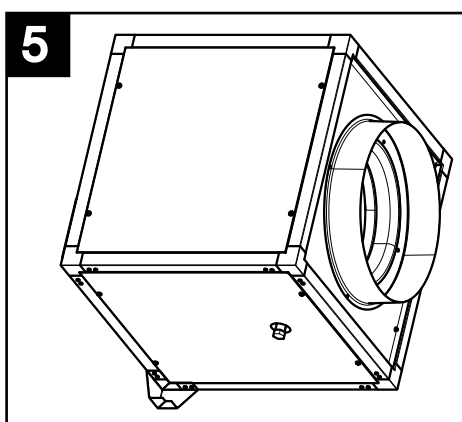
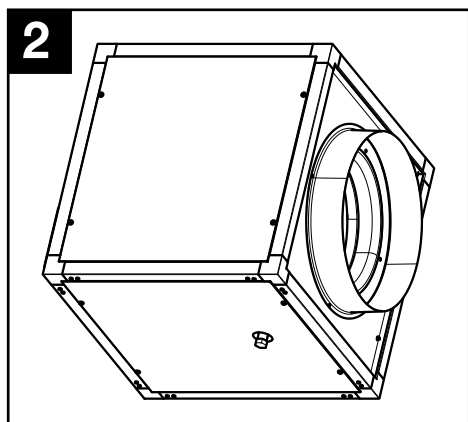
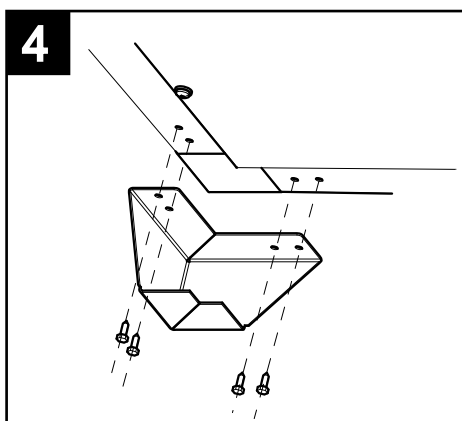
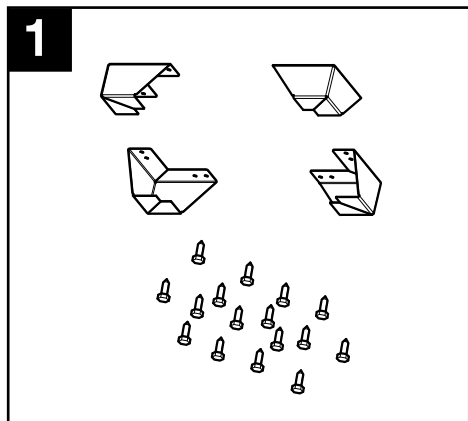
VORT QBK-SAL KC 315	24.204
VORT QBK-SAL KC 355	24.204
VORT QBK-SAL KC 400	24.204



Piedi in metallo

Mounting feet

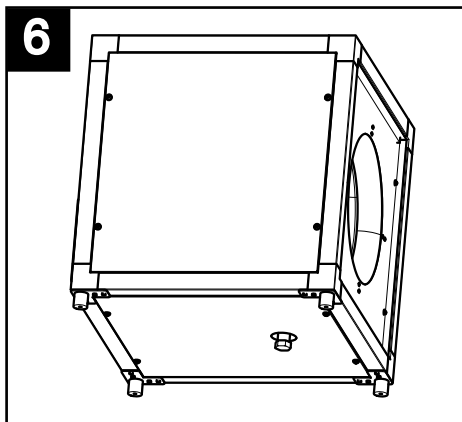
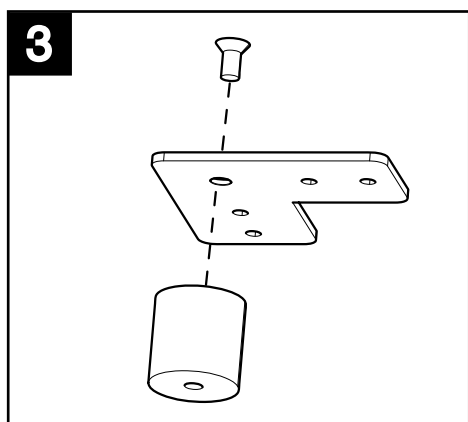
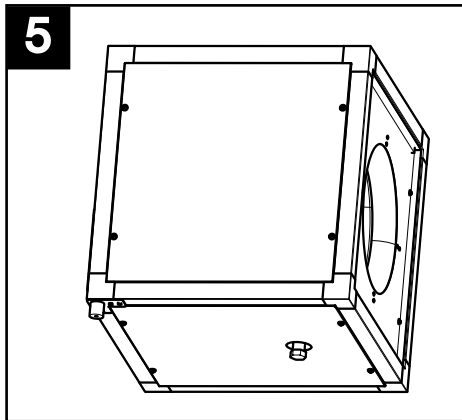
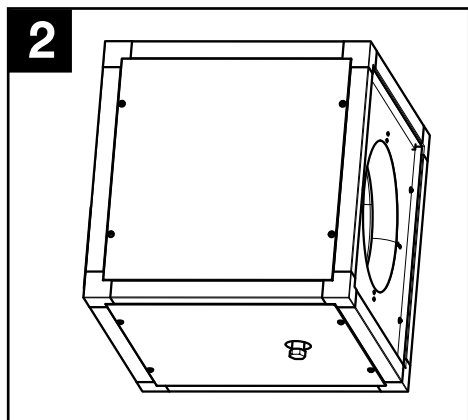
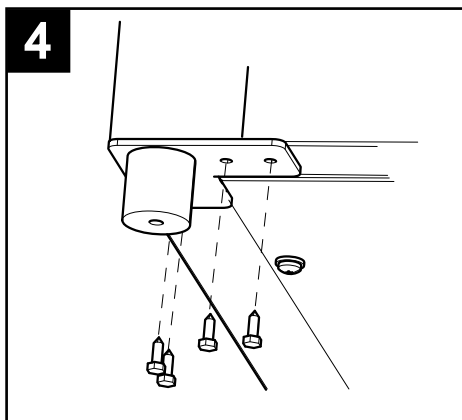
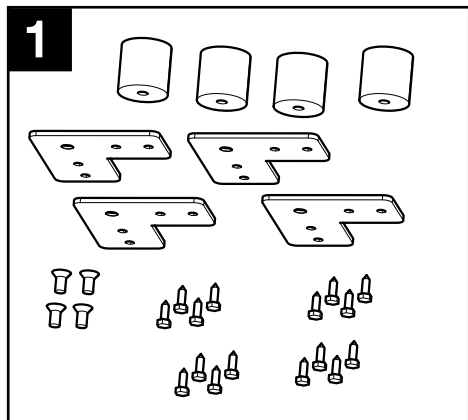
VORT QBK-SAL KC 500	24.144
VORT QBK-SAL KC 560	24.144



Piedi antivibranti

Anti vibration dampers

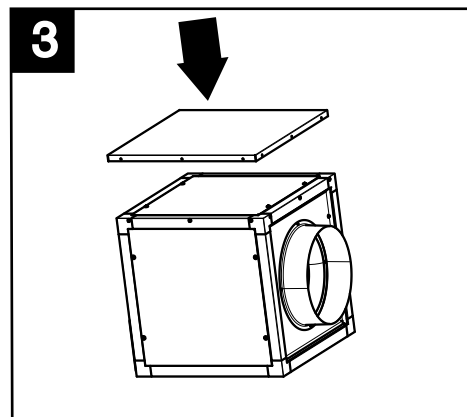
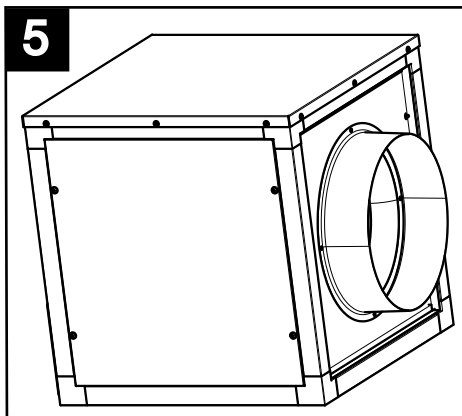
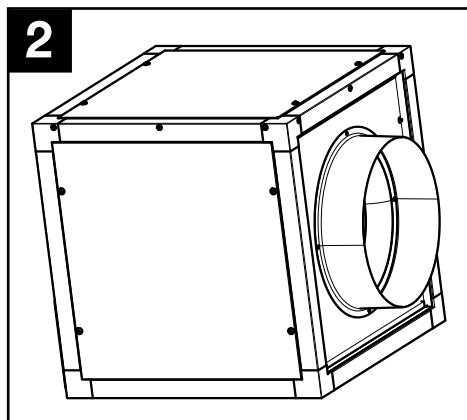
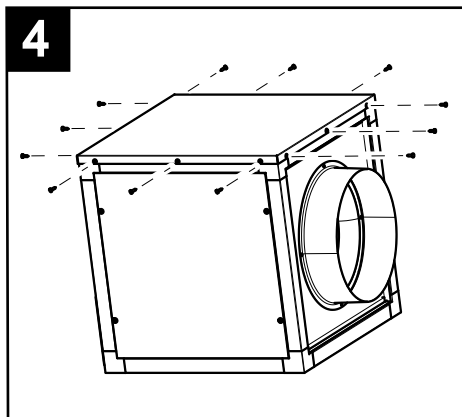
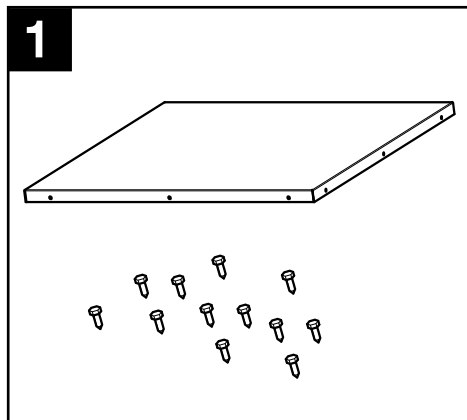
VORT QBK-SAL KC 315	24.188
VORT QBK-SAL KC 355	24.189
VORT QBK-SAL KC 400	24.190
VORT QBK-SAL KC 500	24.191
VORT QBK-SAL KC 560	24.191



Parapioggia

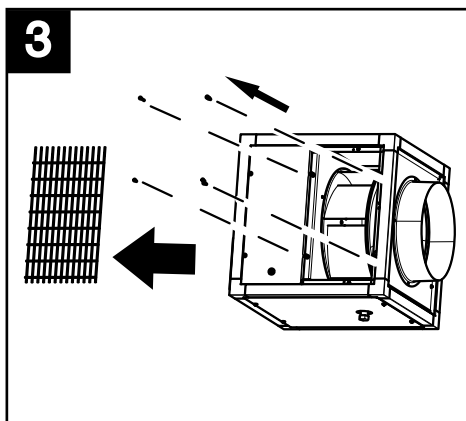
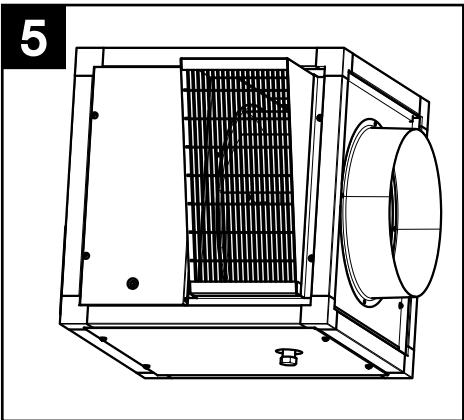
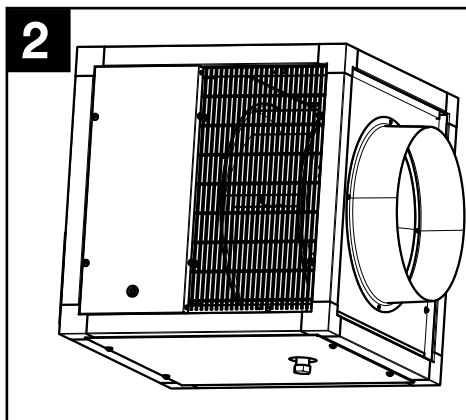
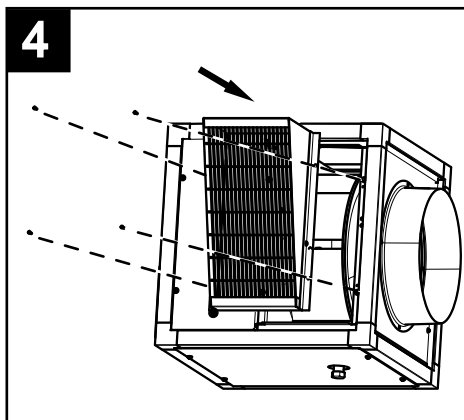
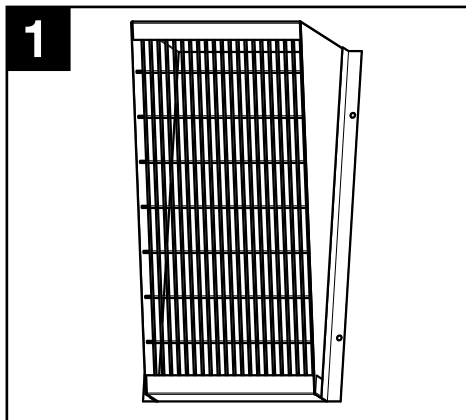
External rain cover

VORT QBK-SAL KC 315	24.192
VORT QBK-SAL KC 355	24.193
VORT QBK-SAL KC 400	24.194
VORT QBK-SAL KC 500	24.195
VORT QBK-SAL KC 560	24.137



Protezione scarico Angled discharge section

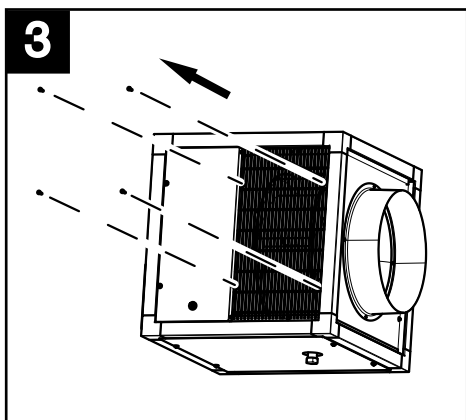
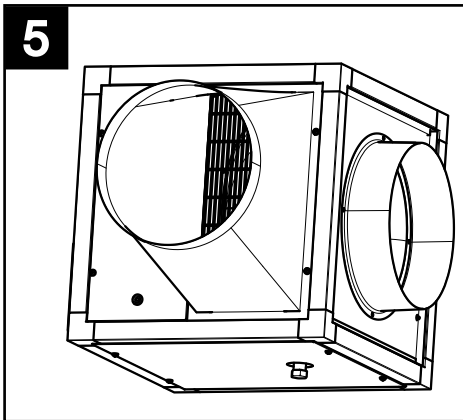
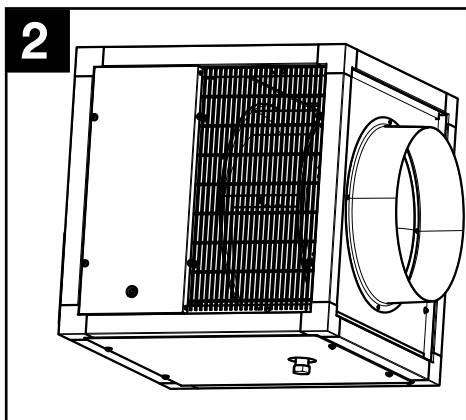
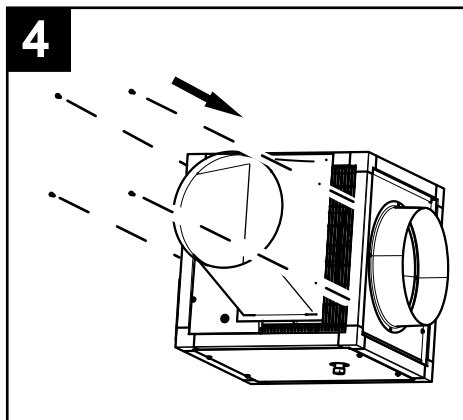
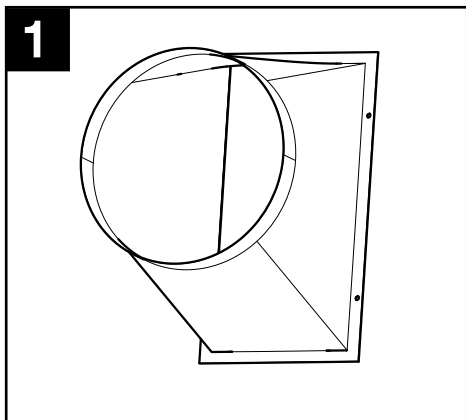
VORT QBK-SAL KC 315	24.196
VORT QBK-SAL KC 355	24.197
VORT QBK-SAL KC 400	24.198
VORT QBK-SAL KC 500	24.199
VORT QBK-SAL KC 560	24.138



Raccordo rettangolare/tondo

Circular discharge adaptor

VORT QBK-SAL KC 315	24.184
VORT QBK-SAL KC 355	24.185
VORT QBK-SAL KC 400	24.186
VORT QBK-SAL KC 500	24.187
VORT QBK-SAL KC 560	24.135





La Vortice S.p.A. si riserva il diritto di apportare tutte le varianti migliorative ai prodotti in corso di vendita.
Vortice S.p.A. reserves the right to make improvements to products at any time and without prior notice.