

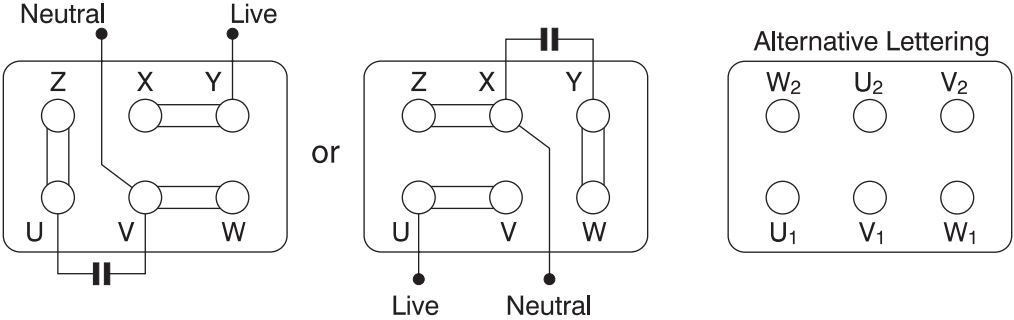
VORTICEL

Connection Details

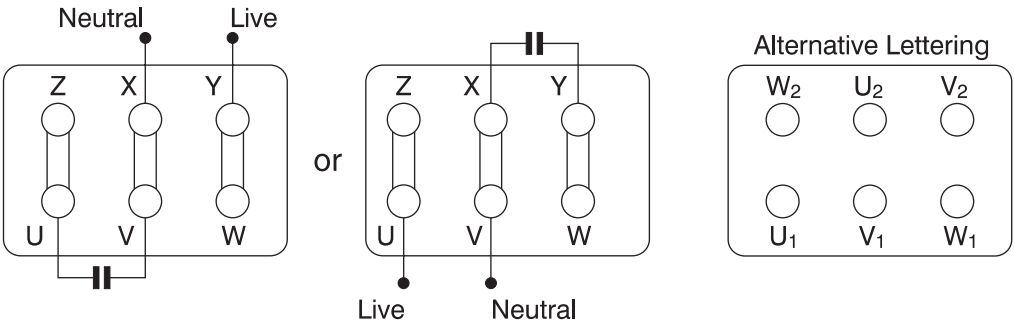
VORTICE LIMITED
 Beeches House - Eastern Avenue
 Burton on Trent
 DE13 0BB
 Tel. (+44) 1283-492949
 Fax (+44) 1283-544121
 UNITED KINGDOM



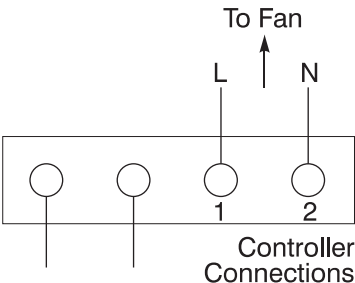
A) Two-pole models: E252M; E302M; (single-phase)



B) Four-pole models: E254M; E304M; E354M; E404M; E504M; E604M (single-phase)



C) When used with speed controllers non-reversible Model ECNR



IMPORTANT

- 1) All Vortice fans are designed for extraction only. These fans are not reversible.
- 2) Maximum permissible air temperature 40°C (104° F).

N.B.: Don't use speed controllers with type E604M